

COMPONENTS • CONVEYORS • SYSTEMS

install & service
manufacture
engineer
design



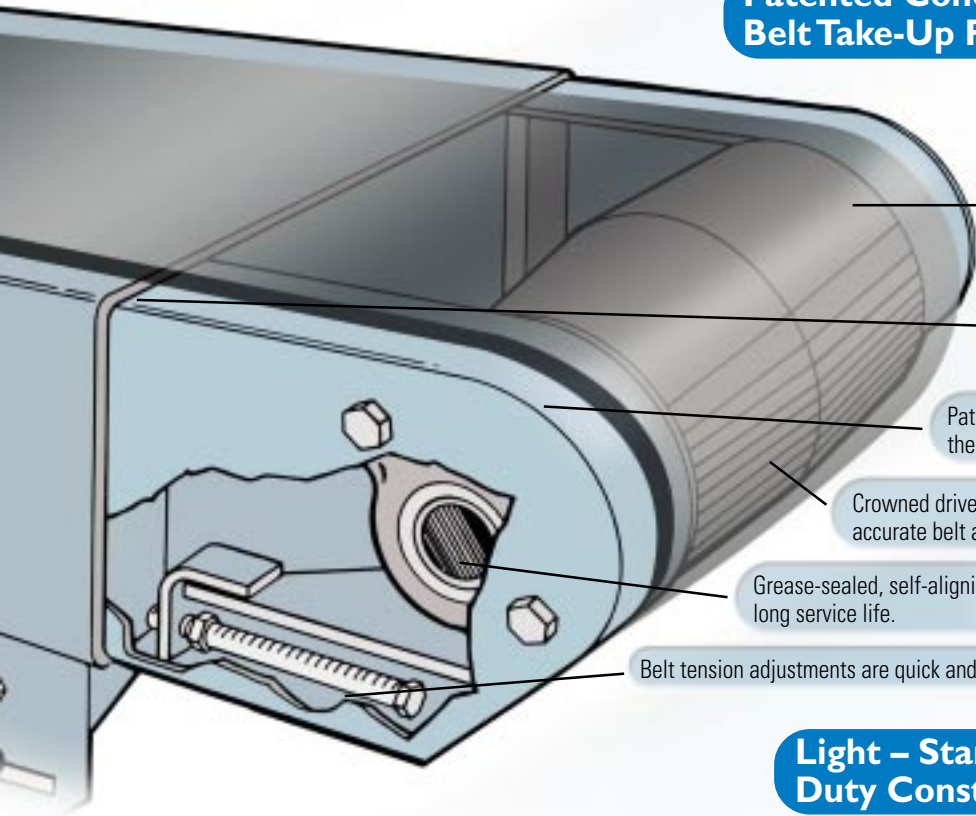
Power-Pack Conveyor Company®

Since 1929

UNIQUE DESIGN FEATURES

Throughout the Power-Pack line of products and systems, you'll find many innovations:

Patented Concealed Drive and Belt Take-Up Pulley Assemblies



Streamlined design with concealed drive and belt take-up pulley eliminates hazardous pinch points for operator safety.

Rugged formed and welded steel construction prevents flexing and twisting.

Patented slide-in design eliminates the need for mounting bolts.

Crowned drive and take-up pulleys provide accurate belt alignment for maximum belt life.

Grease-sealed, self-aligning bearings for long service life.

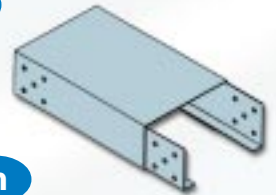
Belt tension adjustments are quick and easy to make.

Light – Standard – Heavy Duty Construction

Power-Pack's standard line of conveyors are offered in welded or universal construction.

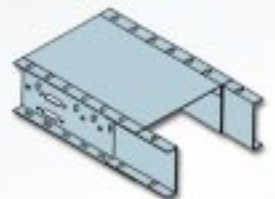
Welded Construction

Power-Pack's welded construction conveyors feature a one-piece formed body for maximum strength.



Universal Construction

A common channel conveyor frame with a bolt together design and interchangeable components is used for 11 universal models. It provides economy and durability while offering the flexibility of easily changing from model to model by only purchasing the components needed to change your existing conveyor into the model your production now requires.



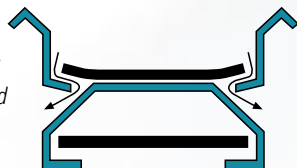
ComPac™ Motorized Drive Pulley



This drive's space-saving design is ideal for a variety of applications where the use of an external chain drive just isn't practical such as assembly lines. It's available in a wide selection of horsepower ratings and belt speeds to meet virtually every need.

Self-Cleaning Body

This self-cleaning body eliminates belt jamming caused by conveying small parts. Should a part or material work its way under the belt, it falls freely away.



Low Pressure Accumulation

Power-Pack's low pressure sleeves provide simple and virtually maintenance-free low pressure accumulation of pallets and products – all while prolonging roll life.



SYSTEMS

Power-Pack offers total system solutions to automate a single process, or to link plants and warehouses to boost productivity, increase flexibility, improve quality, and lower inventory carrying costs.

Just-in-Time Systems

Power-Pack offers broad experience in providing turnkey systems to meet just-in-time delivery of components to line set:

- Receiving a broadcast
- Continuous flow production through computerized scheduling
- Component/part storage and retrieval
- Reverse sequencing and staging
- Automatic dock-side loading
- Trailer-mounted powered conveyors
- Automatic unloading at dock-side
- Conveying to line set

Computer Interface

Advanced information processing includes:

- Interfacing host computers with PLCs
- Menu-driven HMIs for operational programming
- Product code tracking and inventory status
- Poka-Yoka and Andon systems for Six Sigma results
- Descriptor packages for PLC software

Continuous Flow Systems

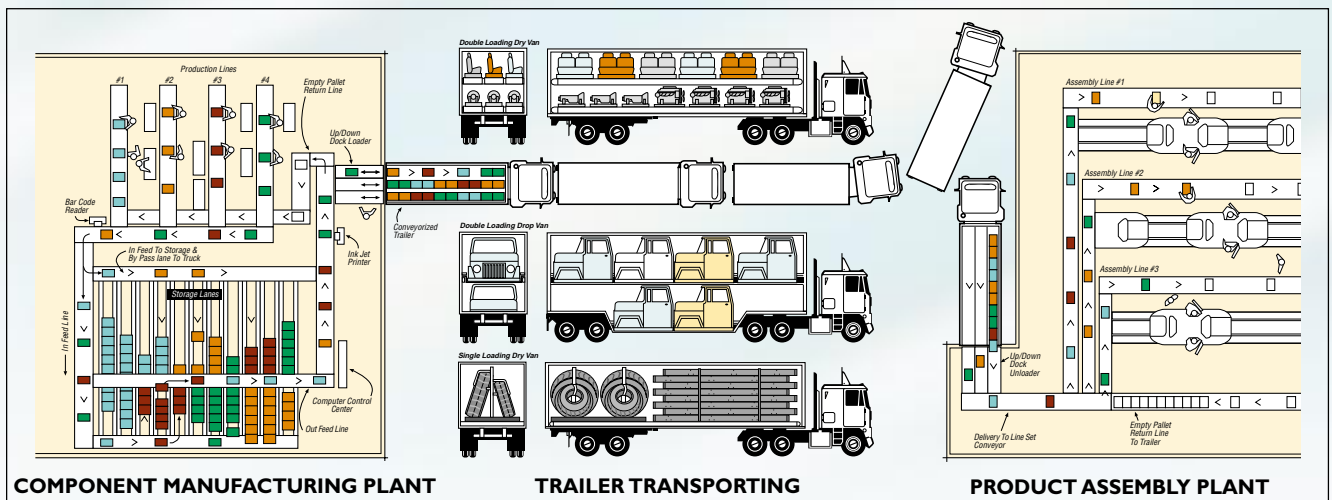
From parts that weigh less than a pound to those weighing hundreds of pounds, Power-Pack's continuous flow systems provide increased productivity. Our Poka-Yoka and Andon systems help maintain zero defect production. These lines feature multi-positioning fixtures, an overhead support structure for tooling, lighting, and CRT operator information centers.



Power-Pack trailer-mounted powered conveyors are ideal solutions for Just-in-Time delivery to line set.

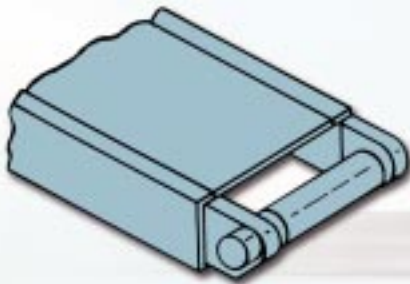
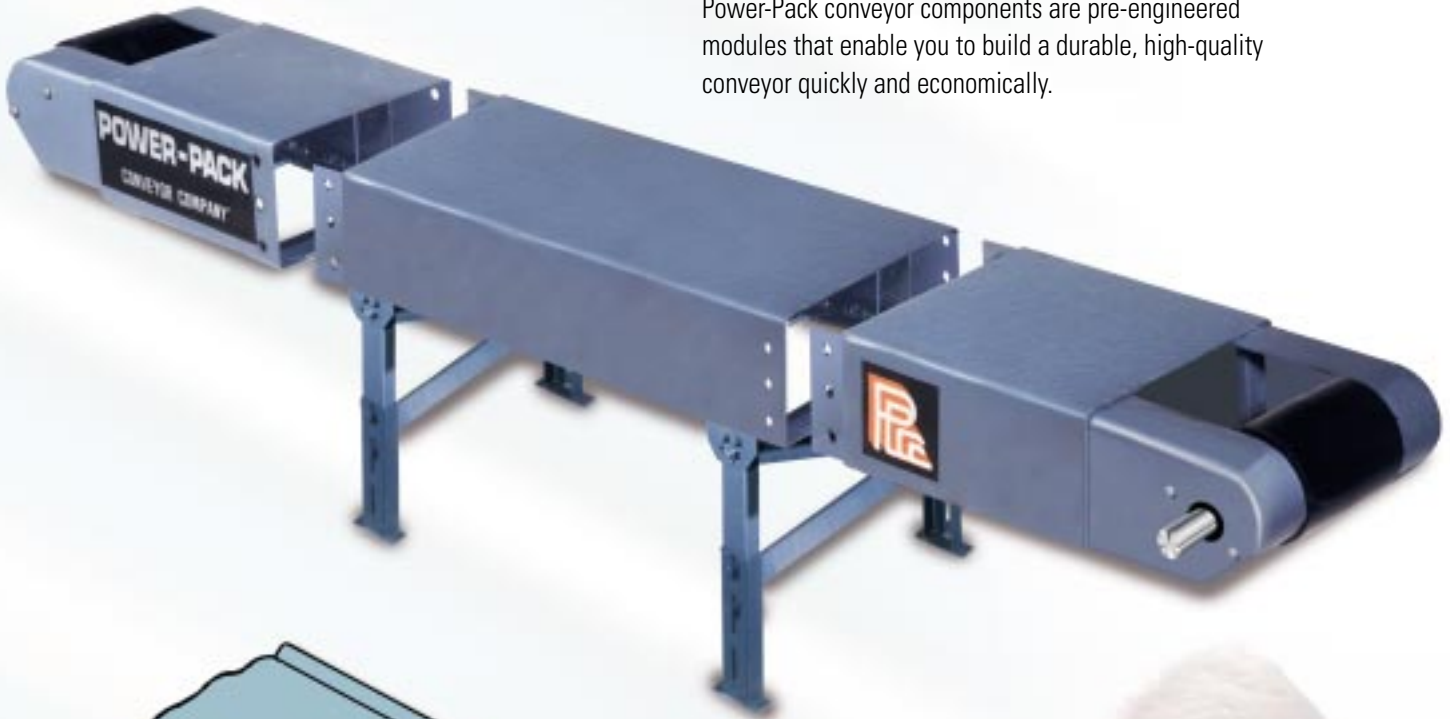


Automatic/Computerized>Storage>Sequencing> Staging>Loading>Transporting>Unloading>Delivery to Line Set

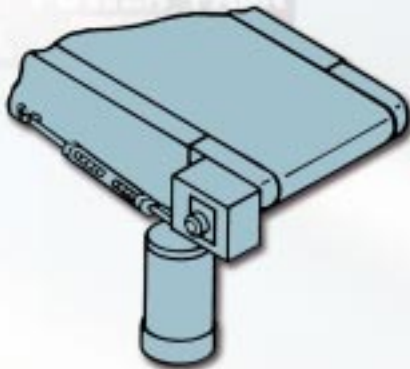


CONVEYOR COMPONENTS

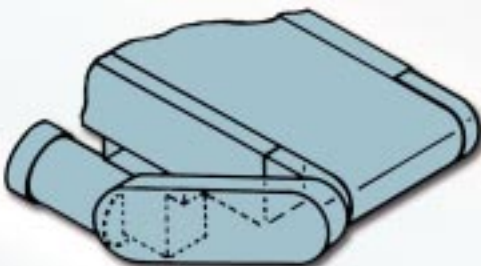
Power-Pack conveyor components are pre-engineered modules that enable you to build a durable, high-quality conveyor quickly and economically.



ComPac Motorized Pulley Drive



Shaft-Mount Motor/Reducer Drive



Chain-Driven Motor/Reducer Drive

Patented Concealed Drive and Belt Take-Up Pulley Assemblies

Our unique components make building your own conveyor fast, easy and trouble-free. These assemblies include the same safety features and long life components used in our standard conveyors. They are available with or without a drive package.

Body Sections

These sections are available in one-foot increments and are available in light, standard or heavy duty construction.

Supports

Conveyor supports include a top swivel plate for easy leveling and telescoping channels for height adjustments.

Accessories

- Belts in various types and sizes
- Casters, swivel or rigid, with or without brakes
- Sides, such as, table, vertical, flared, etc.
- Controls
- Variable-speed operation, AC or DC
- Chutes and hoppers



SLIMLINE™ LOW-PROFILE CONVEYORS

Power-Pack SlimLine conveyors are compact, lightweight, yet extremely rugged. They are especially designed for stampings, slug removal, and small parts handling.

Die Conveyor



Horizontal



Crowned Pulleys

Crowned drive and belt take-up pulley assemblies provide accurate belt tracking for long belt life and minimum maintenance.

Low Profile

Overall body height of 1.875" or 2.875" high.

Removable Bed

For fast belt changes.

Endless Belts

Vulcanized with finger splices.

Options

- Vertical or flared sides
- Controls
- Magnetic bed

Abrasion/Tear-Resistant Belting

PVC or urethane belts.

Rugged

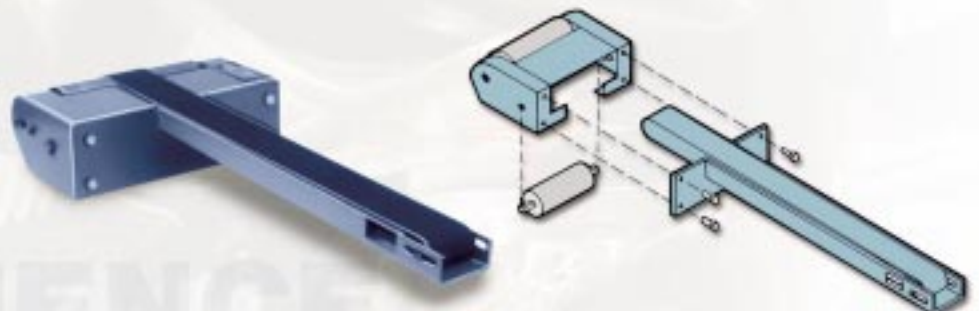
Formed steel construction resists twisting and flexing.

Incline or Cleated Incline



Super T Interchangeable Bed Conveyors

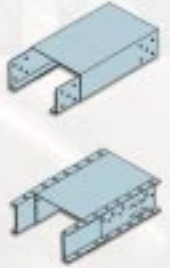
These conveyors feature a quickly removable bed design that is ideal for adapting to die size changeovers.



WELDED & UNIVERSAL CONSTRUCTION CONVEYORS

Power-Pack's line of Welded and Universal construction conveyors are available in 11 basic styles in a variety of widths, lengths, and configurations.

- Welded construction conveyors offer the ultimate in structural integrity and durability with their one-piece formed steel construction.
- Universal bolted construction conveyors offer economy and flexibility for the future since they can be reconfigured to meet changing needs.



Belt Conveyors



Horizontal Slider Belt conveyor for general purpose applications.



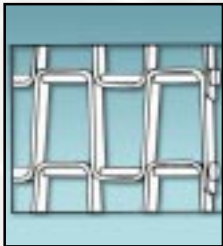
Horizontal V Track belt conveyors provide positive belt tracking.



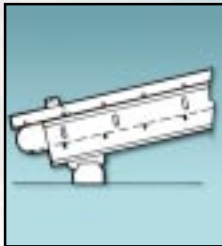
Horizontal Flanged belt conveyors keep small parts or bulk material centered on the belt.



Belt-Over Roller conveyors combine the benefits of a belt conveyor to carry heavy loads.

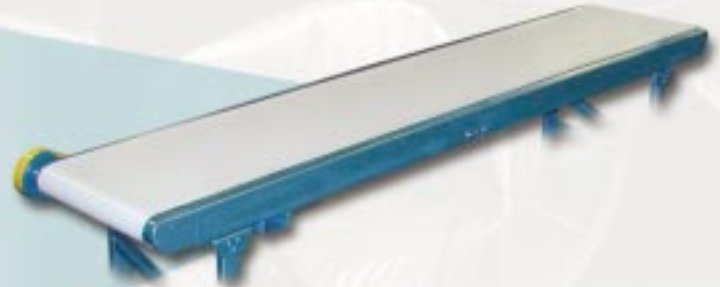


Wire Mesh Belt-Over Roller conveyors are ideal for transporting heavy or hot parts and spraying or washing applications.



Incline Belt conveyors carry stable parts up inclines to 30°.

Cleated Incline conveyors have belt cleats to transport non-stable or loose parts up inclines to 60°.



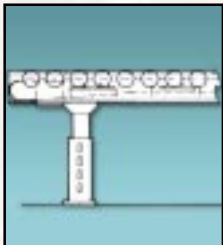
Light – Standard – Heavy Duty

MODEL	DESCRIPTION
H	HORIZONTAL SLIDER BELT
HV	HORIZONTAL "V" TRACK BELT
HF	HORIZONTAL FLANGED BELT
BOR	HORIZONTAL BELT-OVER-ROLLER
HW	FLAT OR BALANCED WEAVE HORIZONTAL WIRE MESH BELT
E	INCLINE BELT
K	CLEATED INCLINE BELT
G	GRAVITY
BDLR	BELT-DRIVEN LIVE ROLLER
CDLR	CHAIN-DRIVEN LIVE ROLLER
QDLR	SKEWED CHAIN-DRIVEN LIVE ROLLER

Roller Conveyors



Gravity Roller conveyors feature adjustable roller height.



Belt-Driven Live Roller conveyors are available with pop-up rolls and adjustable pressure sections.



Chain-Driven Live Roller conveyors provide rugged performance for heavy parts, pallets, totes, and more.

Skewed Chain-Driven Live Roller conveyors transport loads to one side to orient them for in-line operations.



SPECIFIC APPLICATION CONVEYORS



Problem Solvers

To meet specific materials handling requirements, Power-Pack offers over 150 various models. Each model is ruggedly designed and backed by a two-year limited warranty. For maximum performance, every application is thoroughly analyzed for proper equipment and sequence of operation.



Troughing Idler Conveyors

These conveyors stand up to the rigors of conveying wet or dry bulk materials such as sludge, concrete, gravel, ore, coal, earth, etc.



Self-Cleaning Trough Conveyors

Ideal for transporting small parts and fine bulk materials, these conveyors eliminate belt jamming problems with their self-cleaning feature.



Steel Hinge Belt Conveyors

Heavy materials such as metal stampings, hot forgings, quenched parts, flash, wet or dry chips, borings, turnings, frozen rubber parts, fasteners, castings, and more are easily transported by these robust conveyors.



Wire Mesh/Wash Conveyors and Systems

These conveyors and systems are ideal for conveying cold or hot parts through spraying, dipping, washing, lubricating, or coating operations. They are available with options such as blow-off stations and drying tunnels.



Cleated Incline

These conveyors provide a positive method for transporting materials up inclines. They can be equipped with feed hoppers and discharge chutes.



Tabletop Conveyors

Plastic, steel, or stainless steel hinged tabletop conveyors provide a solid surface for smooth continuous movement and accumulation of cans, bottles, or other products. Curves are available from 18° to 180°.



Slat Conveyors

Slat conveyors are designed to handle heavy parts or fixtures for continuous flow assembly lines.



Magnetic Bed Conveyors

These conveyors provide a positive method for transporting materials up inclines. Magnetic bed models are ideal for separating ferrous from non-ferrous materials or for transporting ferrous metals up steep inclines.



Corrugated Belt Conveyors

These flexible sidewall belt conveyors transport powder, bulk material, small items, and liquids horizontally and up inclines.



Flanged Trough Conveyors

Flanged trough conveyors transport a metered amount of fine bulk materials, powder, sand, or small parts without edge spillage.



Pop-Up Transfer

These units provide 90° transfer of product with either v-belt or chain pop-ups. Coated rolls prevent marking.

Configurations



HORIZONTAL



INCLINE



L-INCLINE



J-INCLINE



Z-INCLINE



VERTICAL



TANDEM DRIVE



POWERED CURVES

The Resources to Meet Your Needs

Power-Pack offers a broad selection of material handling solutions to meet virtually every need:

Conveyor Components

If your company is looking to reduce costs by building its own conveyors – these pre-engineered modules are the right choice.

Universal Conveyors

The common frame design used for all 11 models of our Universal conveyors provide economy and durability for today – and quick interchangeability to meet new demands in the future.

Welded Construction Conveyors

When specifications call for: "One piece formed body and welded construction throughout," Power-Pack welded construction conveyors are the ones to choose.

SlimLine™ Conveyors

These low profile units are designed for part, slug or scrap removal from under presses or other applications that require a reliable conveyor.

Trailer Mounted Sequencing Conveyors

These unique conveyors are designed to provide fast and efficient plant-to-plant loading and unloading of components for just-in-time delivery to line set.

Custom Conveyors

Need a special conveyor design? Our over 70 years of experience is available to provide you with a cost-effective solution.

Synchronized, High Throughput, Build Lines, and Storage and Retrieval Systems

Power-Pack systems engineers specialize in creating advanced systems to reduce manufacturing and inventory costs while meeting market demand.

Specific Application and OEM Conveyors

Power-Pack offers a wide selection of pre-engineered bulk material handling, part handling, manufacturing and processing conveyors.

- Horizontal Slider Bed
- Horizontal Flanged Belt
- Horizontal "V" Tracking
- Incline
- Cleated Incline
- Cleated Incline with Nose-Over
- Gravity
- Horizontal Belt Over Roller
- Belt Driven Live Roller
- Zero Pressure
- Chain Driven Live Roller
- Skewed Chain Driven Live Roller
- Wire Mesh
- Floor-to-Floor
- Table Top
- Die
- Steel Hinge Belt
- Self-Cleaning
- Flanged Trough
- Corrugated
- Troughing Idler
- Magnetic
- Drag Chain
- Roller Chain
- Slat
- Bucket
- Belt Curves
- Wash
- Roller Flight



Power-Pack Conveyor Company
38363 Airport Parkway • Willoughby, OH 44094
Phone: 440-975-9955 • Fax: 440-975-0505
Email: ppcc@power-packconveyor.com
www.power-packconveyor.com



© 2001, Power-Pack Conveyor Company. All Rights Reserved.
Power-Pack and Power-Pack Conveyor Company are trademarks of Power-Pack Conveyor Company
Printed in USA 1263 04015M